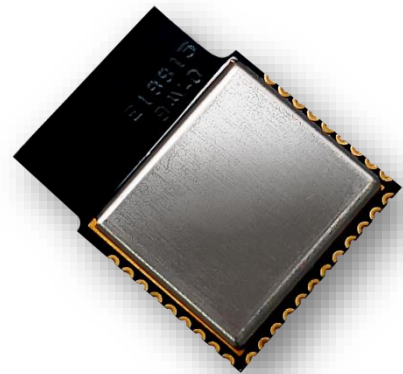


RYWB116

2.4GHz Ultra Low Power Wi-Fi / Bluetooth 5.0
UART/SPI Interface Module with Integrated Antenna

Datasheet



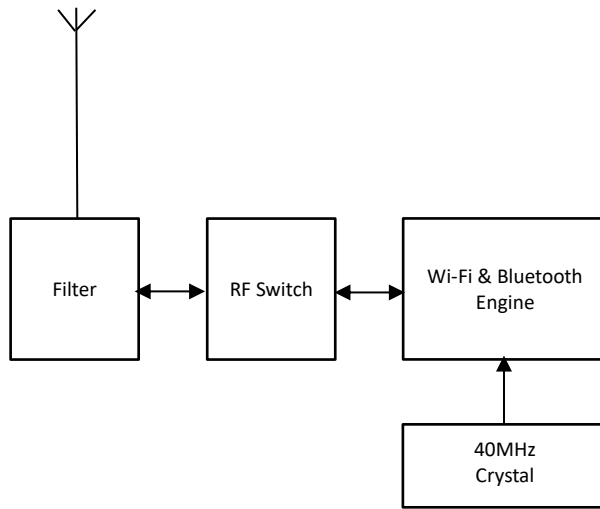
PRODUCT DESCRIPTION

REYAX's RYWB116 module provides a comprehensive multi-protocol wireless solution including 802.11 b/g/n, dual-mode Bluetooth 5.

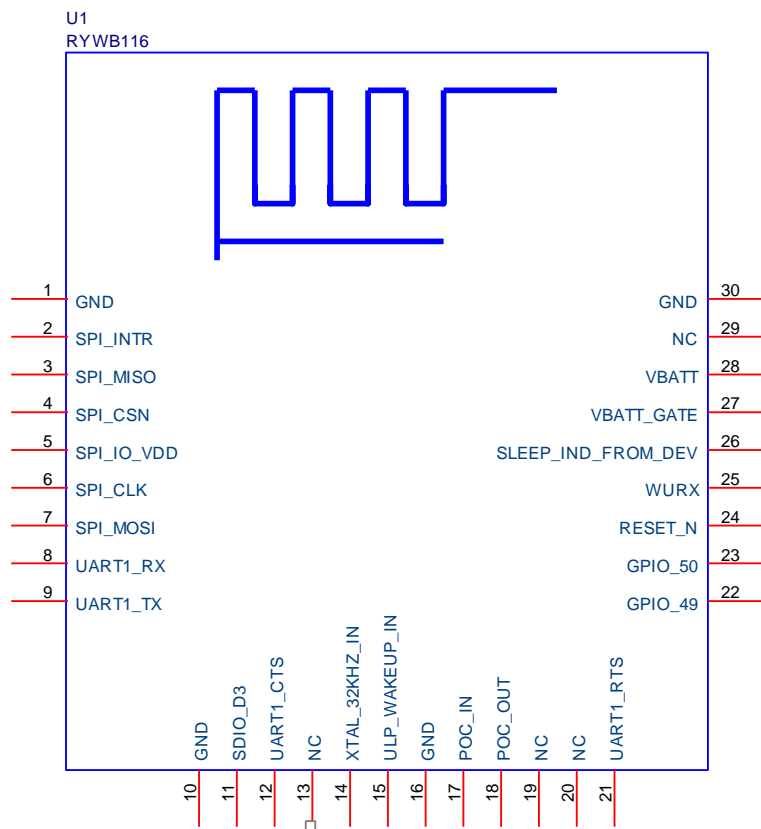
FEATURES

- Compliant to single-spatial stream IEEE 802.11 b/g/n, Bluetooth 5.
- Co-existence of multiple wireless protocols managed by an internal protocol arbitration manager.
- Ultra-low power consumption with multiple power modes to reduce the system energy consumption.
- Leading edge RF performance providing long range and higher throughputs.
- Transmit power up to +21dBm with integrated PA.
- Wi-Fi receive sensitivity as low as -98.5 dBm.
- BT receive sensitivity as low as -95 dBm.
- Support for Client mode, Access point mode, Wi-Fi Direct and enterprise security.
- Support for concurrent Wi-Fi, Bluetooth 5.
- 8.9 mA transmit current in BT 5 mode, 2 Mbps data rate
- Operating temperature: -40°C to +85°C
- Transmission distance up to 200M.
- FCC, NCC Certification.

BLOCK DIAGRAM



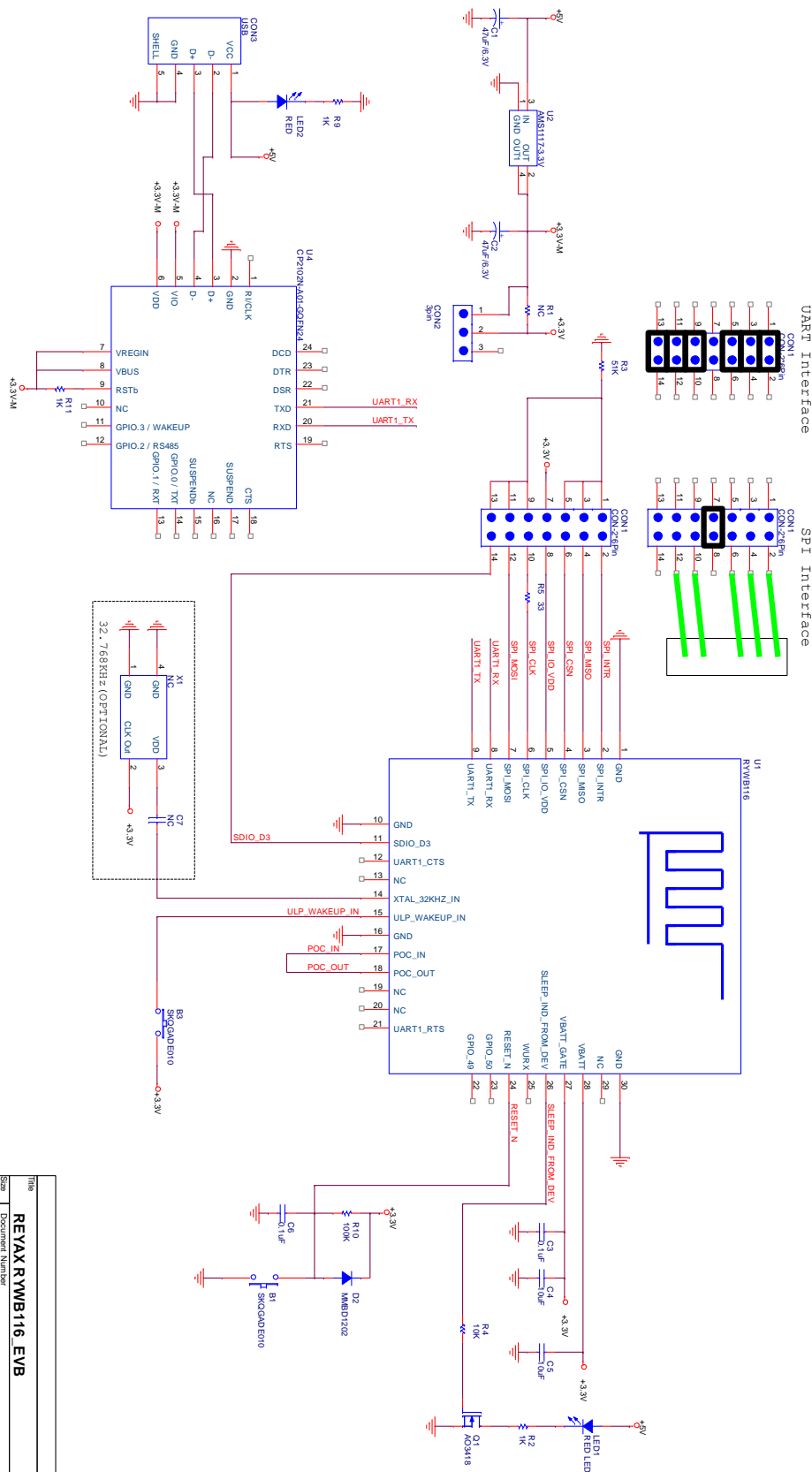
PIN DESCRIPTION



Pin	Name	I/O	Condition
1	GND	-	Ground
2	SPI_INTR	O	SPI_INTR: SPI Slave interface Interrupt Signal to the Host.
3	SPI_MISO	O	SPI_MISO: SPI Slave interface Master-In-Slave-Out signal.
4	SPI_CSN	I	SPI_CSN: Active-low Chip Select signal of SPI Slave interface.
5	SPI_IO_VDD	I	I/O Supply for GPIOs (1.9-3.6V).
6	SPI_CLK	I	SPI_CLK: SPI Slave interface clock.
7	SPI_MOSI	I	SPI Slave interface Master-Out-Slave-In signal.
8	UART1_RX	I	UART 1 interface serial input.
9	UART1_TX	O	UART 1 interface serial output.
10	GND	-	Ground
11	SDIO_D3	I/O	SDIO_D3: SDIO interface Data3 signal.
12	UART1_CTS	I	UART1_CTS: UART 1 interface Clear to Send.
13	NC	-	Leave Unconnected.
14	XTAL_32KHZ_IN	I	This pin can be used to feed external clock from a host processor or from external crystal oscillator.
15	ULP_WAKEUP_IN	I	This signal has two functionalities – one during the bootloading process and one after the bootloading. During bootloading, this signal is an active-high input to indicate that the bootloader should bypass any inputs from the Host processor and continue to load the default firmware from Flash. After bootloading, this signal is an active-high input to indicate that the chip/module should wakeup from its Ultra Low Power (ULP) sleep mode.
16	GND	-	Ground
17	POC_IN	I	Power On Control Input.
18	POC_OUT	O	Power On Control Output.
19	NC	-	Leave Unconnected.
20	NC	-	Leave Unconnected.
21	UART1_RTS	O	UART1_RTS: UART 1 interface Request to Send.
22	GPIO_49	I/O	General Purpose I/O.
23	GPIO_50	I/O	General Purpose I/O.
24	RESET_N	I	Active-low reset asynchronous reset signal.
25	WURX	I	2.4 GHz Wakeup receiver RF input. If unused, leave unconnected.
26	SLEEP_IND_FROM_DEV	O	This signal is used to send an indication to the Host processor. An indication is sent when the chip enters (logic low) and exits (logic high) the ULP Sleep mode.
27	VBATT_GATE	I	If not use the power gate, please connect to the VBATT pin.

			The power gate reduces sleep mode current. Please refer to the EVB Schematic.
28	VBATT	I	Input supply voltage (1.75-3.6V).
29	NC	-	Leave Unconnected.
30	GND	-	Ground

EVB APPLICATION SCHEMATIC



Title		REYAX RWYB116 EVB	
Size	Document Number	Rev	1.2
CustPartNo>>			
Date:	2019.10.28	Sheet	1 of 1

SPECIFICATION

Item	Min.	Typical	Max.	Unit	Description
Operation Voltage	1.75	3.3	3.6	V	VBATT
I _{max}			400	mA	Maximum Current consumption in TX mode
I _{Pmax}			500	mA	Peak current rating for power supply
WLAN Data Transfer Average Current		270		mA	11Mbps Tx
WLAN Data Receive Average Current		48.2		mA	72 Mbps Rx
BR/EDR TX Active Current, 3 Mbps EDR		140		mA	HP chain, Tx Power = Maximum
BR/EDR RX Active Current, 3 Mbps EDR		26.7		mA	HP chain
BLE TX Active Current		190		mA	HP Chain, Tx Power = Maximum (20 dBm)
BLE RX Active Current		26.7		mA	HP chain
WLAN Standby Associated Mode Current		119		uA	DTIM=3 Cisco Aironet AP
WLAN Standby Associated Mode Current		51		uA	DTIM=10 Cisco Aironet AP
Quiescent current		3		nA	
Baud Rate	9600	115200	921600	bps	
Wireless Protocols					IEEE 802.11b, 802.11g, 802.11n Bluetooth 5 (2.1+EDR, LE, LE 2 Mbp)
Operational Modes Supported					Wi-Fi Access Point with support for up to 16 clients Wi-Fi Client Wi-Fi Direct Bluetooth Classic (EDR v 2.1) Wi-Fi Client + Bluetooth Low Energy
Receive Power			10	dBm	
WLAN Modulation					OFDM with BPSK, QPSK, 16-QAM, and 64-QAM 802.11b with CCK and DSSS
WLAN Operating Frequency	2.412		2.484	GHz	
WLAN Bandwidth		20		MHz	
WLAN Data Rates	1 6		11 54	Mbps	802.11b: 1, 2, 5.5, 11Mbps 802.11g: 6, 9, 12, 18, 24, 36, 48, 54Mbps 802.11n: MCS0 to MCS7
Bluetooth Channel Spacing	1		2	MHz	BR, EDR, - 1 MHz LE - 2 MHz

Bluetooth Modulation		GFSK, DQPSK, D8PSK			
Bluetooth Operating Frequency	2.402		2.480	GHz	
Bluetooth Data Rates	125		3000	Kbps	
Communication Range			266	M	
Operating Temperature	-40	25	+85	°C	

DC CHARACTERISTICS

RESET_N PIN

Symbol	Min.	Typical	Max.	Unit	Parameter
V _{IH}	0.8 VDD		3.63	V	High level input voltage
V _{IL}	-0.5		0.3 VDD	V	Low-level input voltage
V _{hys}	0.05 VDD			V	Hysteresis voltage

DIGITAL INPUT OUTPUT SIGNALS

Symbol	Min.	Typical	Max.	Unit	Parameter
V _{IH}	2.0		3.63	V	High level input voltage
V _{IL}	-0.3		0.8	V	Low-level input voltage
V _{hys}	0.1 VDD			V	Hysteresis voltage
V _{OL}			0.4	V	Low level output voltage
V _{OH}	VDD-0.4			V	High level output voltage
I _{OL}	2.0	4.0	12.0	mA	Low level output current
I _{OH}	2.0	4.0	12.0	mA	High level output current

PIN CAPACITANCE

Symbol	Parameter	Min.	Typical	Max.	Unit
C _{io}	Input/output capacitance, digital pins only			2.0	pF

WIRELESS PERFORMANCE SPECIFICATIONS

WLAN 2.4 GHz TRANSMITTER CHARACTERISTICS

Parameter	Conditions	Min.	Typical	Max.	Unit
Transmit Power for 20MHz Bandwidth, compliant with IEEE mask and EVM	1 Mbps DSSS		20		dBm
	2 Mbps DSSS		20		dBm
	5.5 Mbps CCK		20		dBm
	11 Mbps CCK		20		dBm
	6 Mbps OFDM		20		dBm
	9 Mbps OFDM		20		dBm
	12 Mbps OFDM		20		dBm
	18 Mbps OFDM		20		dBm
	24 Mbps OFDM		19		dBm
	36 Mbps OFDM		18		dBm
	48 Mbps OFDM		18		dBm
	54 Mbps OFDM		17		dBm
	MCS0 Mixed Mode		20		dBm
	MCS1 Mixed Mode		20		dBm
	MCS2 Mixed Mode		20		dBm
	MCS3 Mixed Mode		19		dBm
	MCS4 Mixed Mode		17.5		dBm
MCS5 Mixed Mode		17.5		dBm	
MCS6 Mixed Mode		17		dBm	
MCS7 Mixed Mode		14		dBm	

WLAN 2.4 GHz RECEIVER CHARACTERISTICS

Parameter	Conditions	Min.	Typical	Max.	Unit
Sensitivity for 20MHz Bandwidth	1 Mbps DSSS		-98.5		dBm
	2 Mbps DSSS		-93		dBm
	5.5 Mbps CCK		-90		dBm
	11 Mbps CCK		-88		dBm
	6 Mbps OFDM		-93		dBm
	9 Mbps OFDM		-92		dBm

	12 Mbps OFDM		-91		dBm
	18 Mbps OFDM		-89		dBm
	24 Mbps OFDM		-85.5		dBm
	36 Mbps OFDM		-82.5		dBm
	48 Mbps OFDM		-78		dBm
	54 Mbps OFDM		-76.5		dBm
	MCS0 Mixed Mode		-91.5		dBm
	MCS1 Mixed Mode		-90		dBm
	MCS2 Mixed Mode		-88		dBm
	MCS3 Mixed Mode		-85		dBm
	MCS4 Mixed Mode		-81		dBm
	MCS5 Mixed Mode		-77		dBm
	MCS6 Mixed Mode		-75		dBm
	MCS7 Mixed Mode		-73		dBm
Maximum Input Level for PER below 10%	1 Mbps DSSS		0		dBm
	11 Mbps CCK		-10		dBm
	54 Mbps OFDM		-10		dBm
	MCS0 Mixed Mode		-10		dBm
Adjacent Channel Rejection	1 Mbps DSSS		36		dB
	11 Mbps CCK		37		dB
	6 Mbps OFDM		38		dB
	54 Mbps OFDM		22		dB
Return Loss		-10			dB
RSSI Accuracy		-3		+3	dB

BLUETOOTH TRANSMITTER CHARACTERISTICS

Parameter	Conditions	Min.	Typical	Max.	Unit
Transmit Power	BR, EDR		20		dBm
	LE		-1		dBm
Power Control Step	BR, EDR		3		dB
Adjacent Channel Power $ M-N = 2$	BR		-20		dB
	EDR		-20		dB
	LE		-20		dB
Adjacent Channel Power $ M-N > 2$	BR		-40		dB
	EDR		-40		dB
	LE		-30		dB

BLUETOOTH RECEIVER CHARACTERISTICS

Parameter	Conditions	Min.	Typical	Max.	Unit
Sensitivity	BR (1 Mbps), 339 bytes, DH5 Packet		-93.5		dBm
	EDR2 (2 Mbps), 679 bytes, 2-DH5 Packet		-94		dBm
	EDR3 (3 Mbps), 1020 bytes, 3-DH5 Packet		-88		dBm
	LE (1 Mbps), 37 bytes, Advertising Channel		-95		dBm
Maximum Input Level	BR, EDR2, EDR3		-16		dBm
	LE		-8		dBm
BER Floor				1e-4	%
C/I Performance	BR, co-channel		9		dB
	BR, adjacent +1 MHz		-2		dB
	BR, adjacent -1 MHz		-2		dB
	BR, adjacent +2 MHz		-19		dB
	BR, adjacent $\geq \pm 3 $ MHz		-19		dB
	BR, adjacent to image channel		-22		dB
	EDR2, co-channel		11		dB
	EDR2, adjacent +1 MHz		-2		dB
	EDR2, adjacent -1 MHz		-2		dB
	EDR2, adjacent +2 MHz		-17		dB
	EDR2, adjacent -2 MHz		-17		dB
	EDR2, adjacent $\geq \pm 3 $ MHz		-17		dB
	EDR3, co-channel		19		dB
	EDR3, adjacent +1 MHz		3		dB
	EDR3, adjacent -1 MHz		3		dB
	EDR3, adjacent +2 MHz		-12		dB
	EDR3, adjacent -2 MHz		-12		dB
	EDR3, adjacent $\geq \pm 3 $ MHz		-12		dB
	LE, co-channel		19		dB
	LE, adjacent +1 MHz		13		dB
LE, adjacent -1 MHz		13		dB	
LE, adjacent +2 MHz		-19		dB	
LE, adjacent -2 MHz		-19		dB	
LE, adjacent $\geq \pm 3 $ MHz		-19		dB	

REFLOW SOLDERING

Consider the "IPC-7530 Guidelines for temperature profiling for mass soldering (reflow and wave) processes, published 2001.

Preheat phase

Initial heating of component leads and balls. Residual humidity will be dried out. Please note that this preheat phase will not replace prior baking procedures.

- Temperature rise rate: max. 3 °C/s If the temperature rise is too rapid in the preheat phase it may cause excessive slumping.
- Time: 60 - 120 s If the preheat is insufficient, rather large solder balls tend to be generated. Conversely, if performed excessively, fine balls and large balls will be generated in clusters.
- End Temperature: 150 - 200 °C If the temperature is too low, non-melting tends to be caused in areas containing large heat capacity.

Heating/ Reflow phase

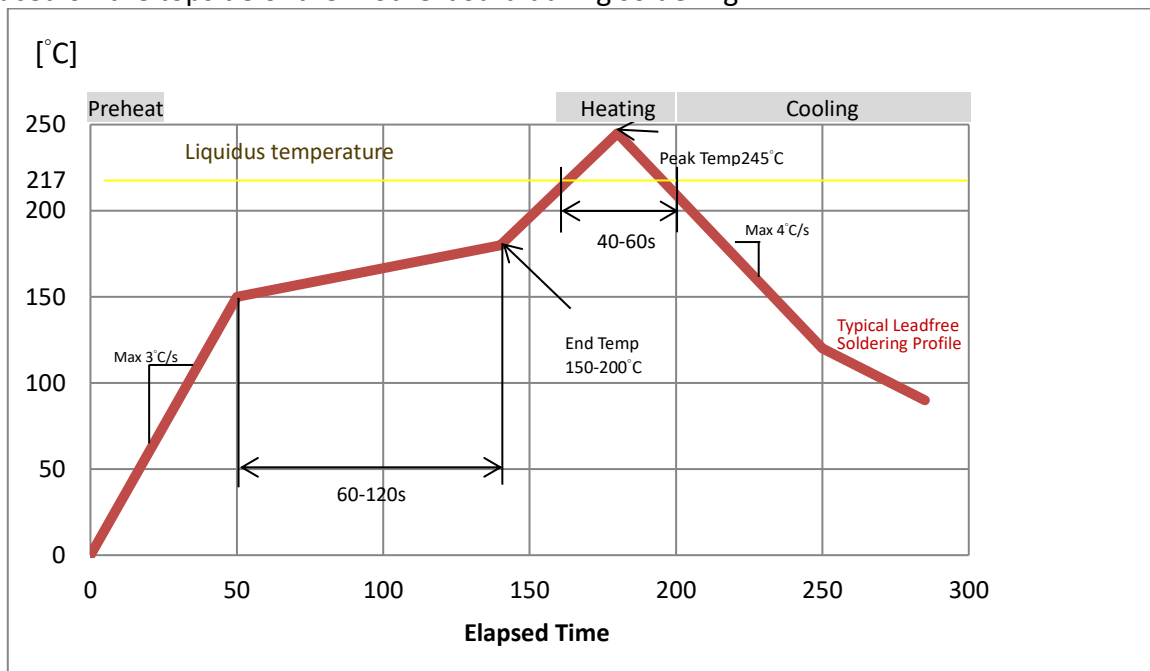
The temperature rises above the liquidus temperature of 217°C. Avoid a sudden rise in temperature as the slump of the paste could become worse.

- Limit time above 217 °C liquidus temperature: 40 - 60 s
- Peak reflow temperature: 245 °C

Cooling phase

A controlled cooling avoids negative metallurgical effects (solder becomes more brittle) of the solder and possible mechanical tensions in the products. Controlled cooling helps to achieve bright solder fillets with a good shape and low contact angle.

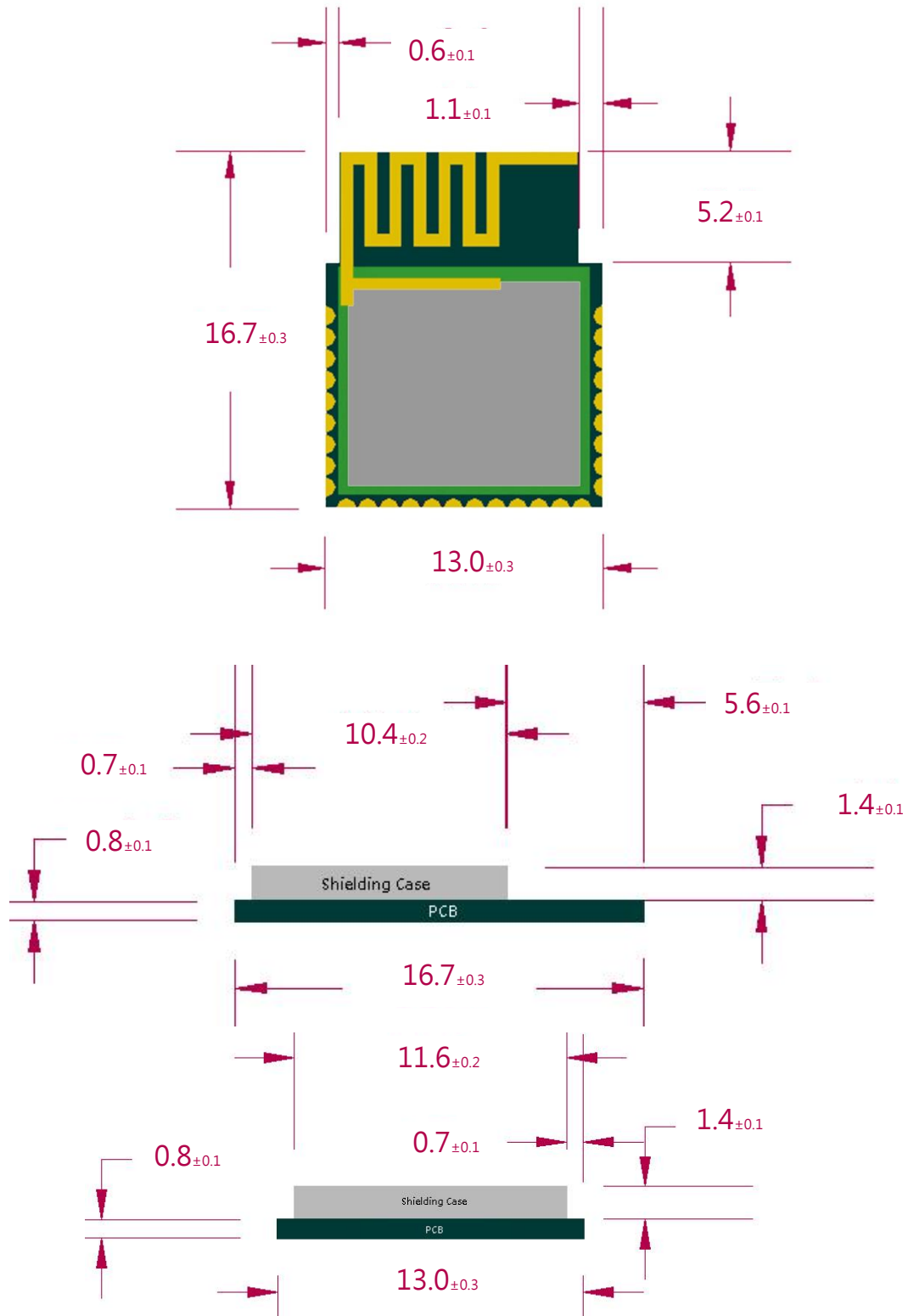
- Temperature fall rate: max 4 °C/s To avoid falling off, the REYAX RYWB116 module should be placed on the topside of the motherboard during soldering.



Recommended soldering profile

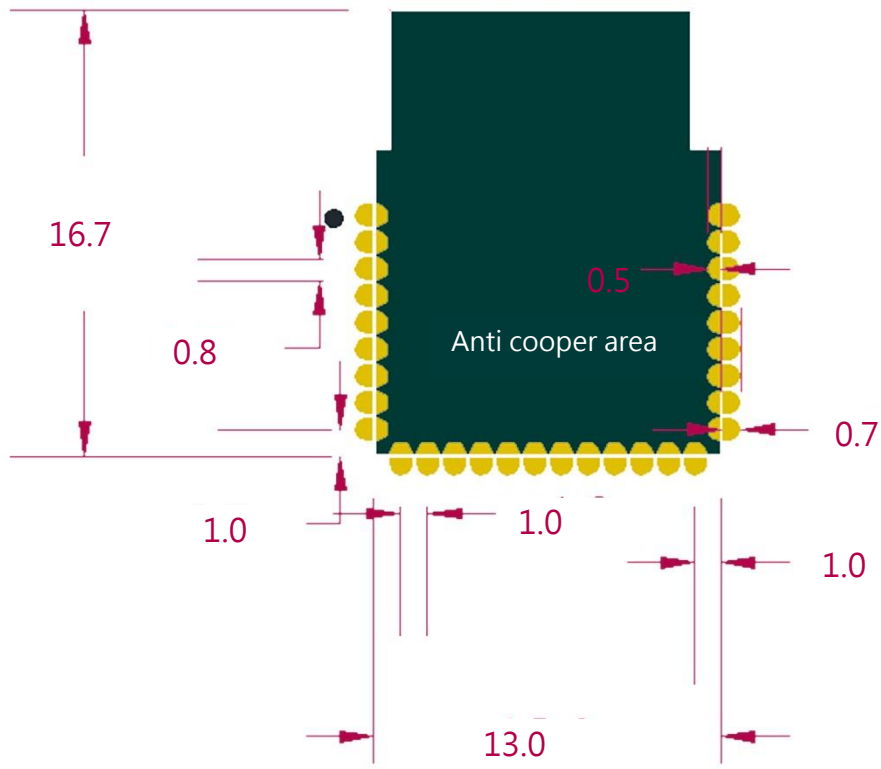
*Note: Does not support upside-down/bottom side reflow.

DIMENSIONS

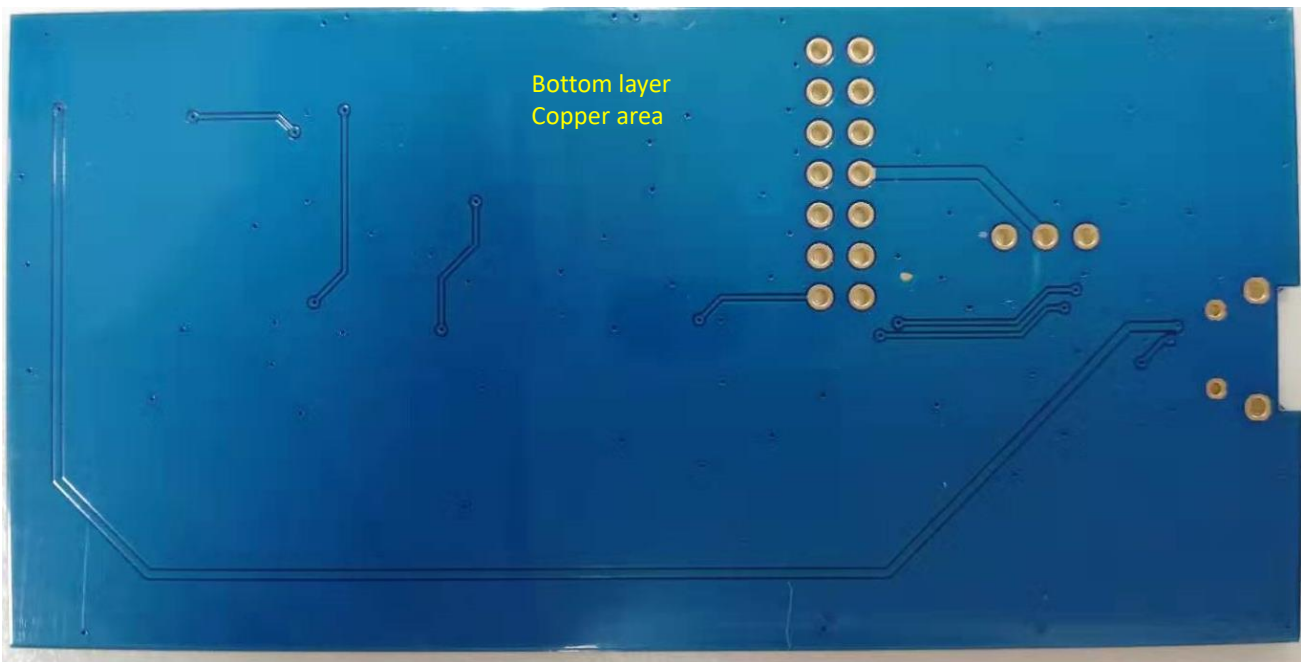
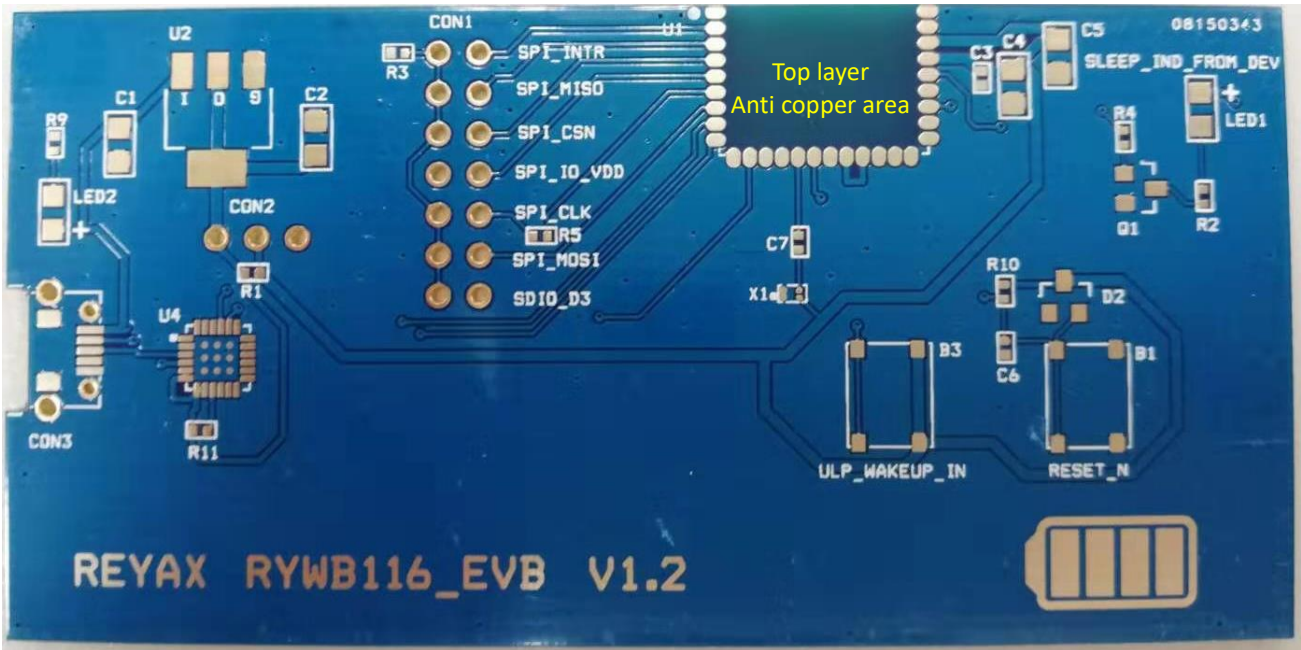


Unit : mm

LAYOUT FOOTPRINT RECOMMENDATIONS



Unit : mm



CERTIFICATIONS

Taiwan NCC Statement 低功率電波輻射性電機管理辦法:

第十二條 經型式認證合格之低功率射頻電機，非經許可，公司、商號或使用者均不得擅自變更頻率、加大功率或變更原設計之特性及功能。

第十四條 低功率射頻電機之使用不得影響飛航安全及干擾合法通信；經發現有干擾現象時，應立即停用，並改善至無干擾時方得繼續使用。前項合法通信，指依電信法規定作業之無線電通信。低功率射頻電機須忍受合法通信或工業、科學及醫療用電波輻射性電機設備之干擾。



CCAN20LP0090T3

FCC Statement:

This device complies with part 15 of the FCC Rules. Operation is subject to the following two conditions:

- (1) This device may not cause harmful interference, and
- (2) this device must accept any interference received, including interference that may cause undesired operation.

NOTE: This equipment has been tested and found to comply with the limits for a Class B digital device, pursuant to part 15 of the FCC Rules. These limits are designed to provide reasonable protection against harmful interference in a residential installation. This equipment generates, uses and can radiate radio frequency energy and, if not installed and used in accordance with the instructions, may cause harmful interference to radio communications. However, there is no guarantee that interference will not occur in a particular installation.

If this equipment does cause harmful interference to radio or television reception, which can be determined by turning the equipment off and on, the user is encouraged to try to correct the interference by one or more of the following measures:

- Reorient or relocate the receiving antenna.
- Increase the separation between the equipment and receiver.
- Connect the equipment into an outlet on a circuit different from that to which the receiver is connected.
- Consult the dealer or an experienced radio/TV technician for help.

Changes or modifications not expressly approved by the party responsible for compliance could void the user's authority to operate the equipment.

LABEL OF THE END PRODUCT:

The final end product must be labeled in a visible area with the following " Contains TX FCC ID : QLY-RYWB116 ". If the size of the end product is larger than 8x10cm, then the following FCC part 15.19 statement has to also be available on the label: This device complies with Part 15 of FCC rules. Operation is subject to the following two conditions: (1) this device may not cause harmful interference and (2) this device must accept any interference received, including interference that may cause undesired operation.

FCC QLY-RYWB116

REYAX
TECHNOLOGY CORPORATION, LTD

Taiwan: sales@reyax.com

China: sales@reyax.com.cn

<http://reyax.com>